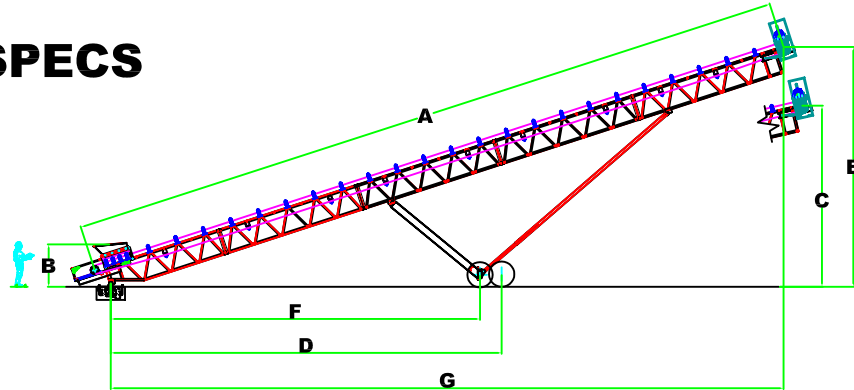


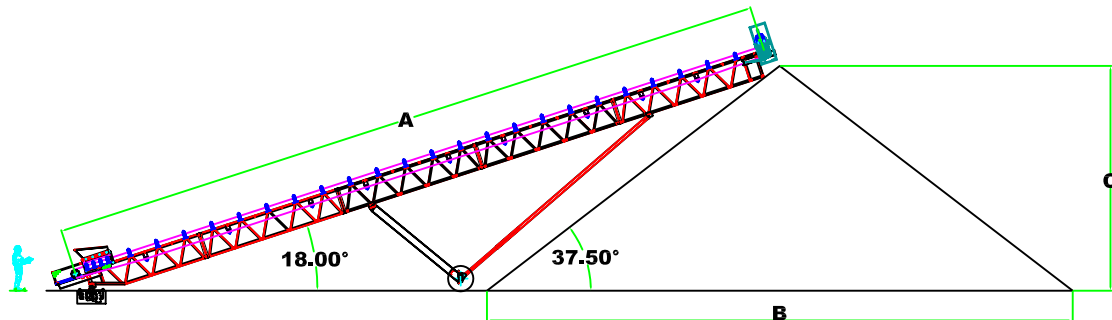
HOOVER CONVEYOR STANDARD 80' & 100' RADIAL STACKING CONVEYORS

GENERAL SPECS



LENGTH OF STACKING CONVEYOR	A	80'	100'
RADIAL HOPPER HEIGHT	B	6'-0"	6'-0"
HEAD PULLEY HEIGHT ~ LOW POSITION	C	18'-8"	25'-2"
PIVOT PIN TO AXLE DISTANCE ~ LOW POSITION	D	43'-10"	53'-9"
HEAD PULLEY HEIGHT ~ HIGH POSITION	E	27'-0"	33'-2"
PIVOT PIN TO AXLE DISTANCE ~ HIGH POSITION	F	41'-0"	51'-0"
TOTAL HORIZONTAL DISTANCE	G	73'-11"	93'-0"
DESIGN INFORMATION BASED ON 30" BELT			
APPROXIMATE TONS PER HOUR		300	350
BELT SPEED (FEET PER MINUTE)		350	350
MOTOR HP		15	20
HEAD PULLEY DIAMETER (INCHES)		16	16
TAIL PULLEY DIAMETER (INCHES)		14	14

STOCKPILE SPECS



LENGTH OF STACKING CONVEYOR	A	80'	100'
DIAMETER OF STOCKPILE	B	64'-10"	80'-11"
HEIGHT OF STOCKPILE	C	24'-10"	31'-0"
CONICAL PILE VOLUME (TONS ~ 100 PCF)		1734	3401
90 DEG. STOCKPILE VOLUME (TONS ~ 100 PCF)		7068	13823
180 DEG. STOCKPILE VOLUME (TONS ~ 100 PCF)		12403	24228

NOTE: DIMENSIONS OF CUSTOM CONVEYORS WILL VARY

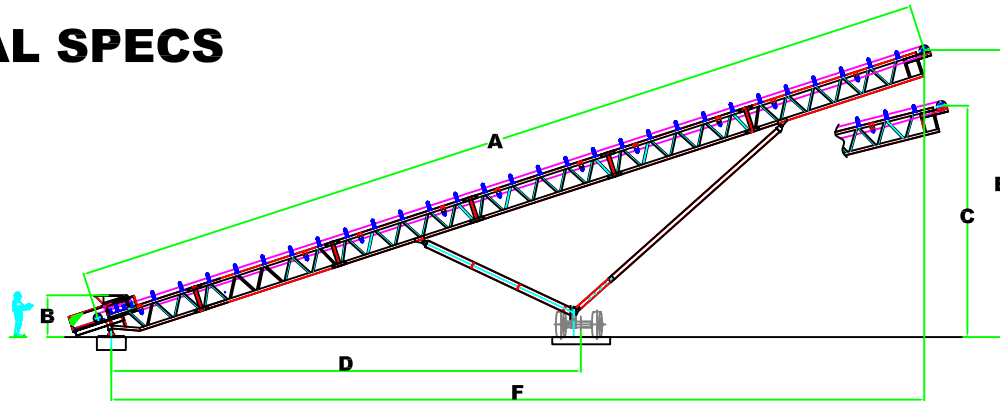
THIS PRINT IS THE PROPERTY OF HOOVER CONVEYOR & FABRICATION CORP. AND IS LOANED TO YOU SUBJECT TO RETURN ON DEMAND, UNLESS OTHERWISE AGREED TO IN WRITING BY HOOVER CONVEYOR & FABRICATION CORP. ITS CONTENTS ARE CONFIDENTIAL AND MUST NOT BE COPIED OR SUBMITTED TO ANY THIRD PARTY FOR USE OR EXAMINATION.
© Copyright 2009 Hoover Conveyor & Fabrication Corp. All rights reserved.

HOOVER
CONVEYOR & FABRICATION CORP.

262 INDUSTRIAL PARK RD.
MEYERSDALE, PA 15552
PHONE 888-634-5434

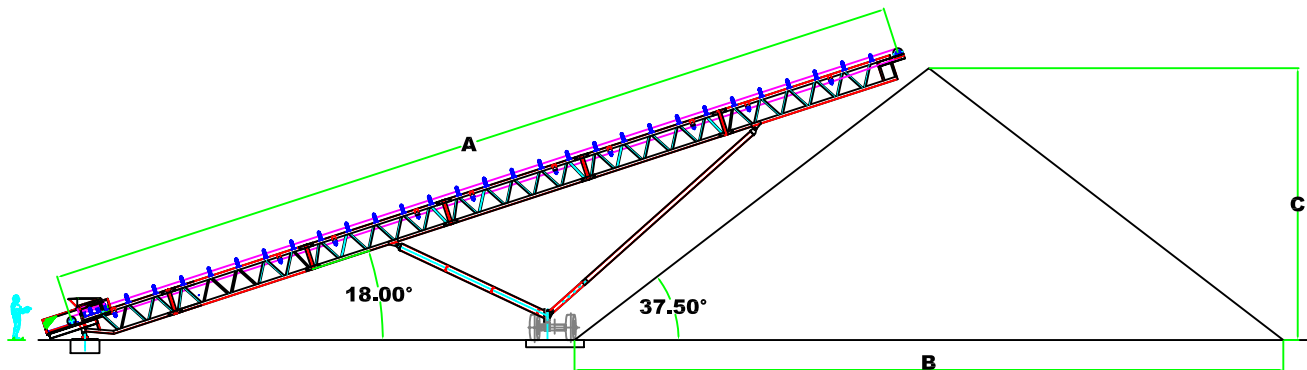
HOOVER CONVEYOR STANDARD 120' RADIAL STACKING CONVEYOR

GENERAL SPECS



LENGTH OF STACKING CONVEYOR	A	120'
RADIAL HOPPER HEIGHT	B	6'-0"
HEAD PULLEY HEIGHT ~ LOW POSITION	C	32'-0"
PIVOT PIN TO AXLE DISTANCE	D	64'-11"
HEAD PULLEY HEIGHT ~ HIGH POSITION	E	39'-8"
TOTAL HORIZONTAL DISTANCE	F	112'-4"
DESIGN INFORMATION BASED ON 36" BELT		
APPROXIMATE TONS PER HOUR		400
BELT SPEED (FEET PER MINUTE)		350
MOTOR HP		25
HEAD PULLEY DIAMETER (INCHES)		18
TAIL PULLEY DIAMETER (INCHES)		16

STOCKPILE SPECS



LENGTH OF STACKING CONVEYOR	A	120'
DIAMETER OF STOCKPILE	B	97'-5"
HEIGHT OF STOCKPILE	C	37'-6"
CONICAL PILE VOLUME (TONS ~ 100 PCF)		5938
90 DEG. STOCKPILE VOLUME (TONS ~ 100 PCF)		24133
180 DEG. STOCKPILE VOLUME (TONS ~ 100 PCF)		42329

NOTE: DIMENSIONS OF CUSTOM CONVEYORS WILL VARY

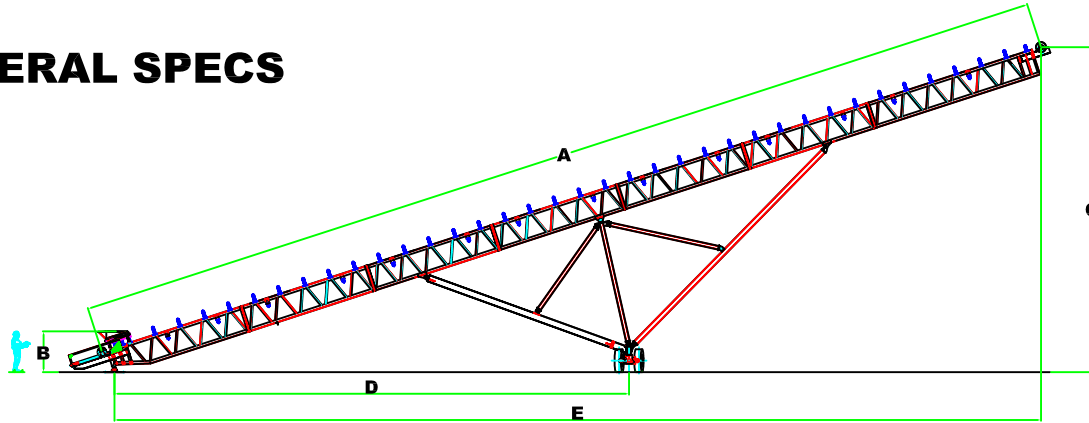
THIS PRINT IS THE PROPERTY OF HOOVER CONVEYOR & FABRICATION CORP. AND IS LOANED TO YOU SUBJECT TO RETURN ON DEMAND, UNLESS OTHERWISE AGREED TO IN WRITING BY HOOVER CONVEYOR & FABRICATION CORP. ITS CONTENTS ARE CONFIDENTIAL AND MUST NOT BE COPIED OR SUBMITTED TO ANY THIRD PARTY FOR USE OR EXAMINATION.
© Copyright 2009 Hoover Conveyor & Fabrication Corp. All rights reserved.

HOOVER
CONVEYOR & FABRICATION CORP.

262 INDUSTRIAL PARK RD.
MEYERSDALE, PA 15552
PHONE 888-634-5434

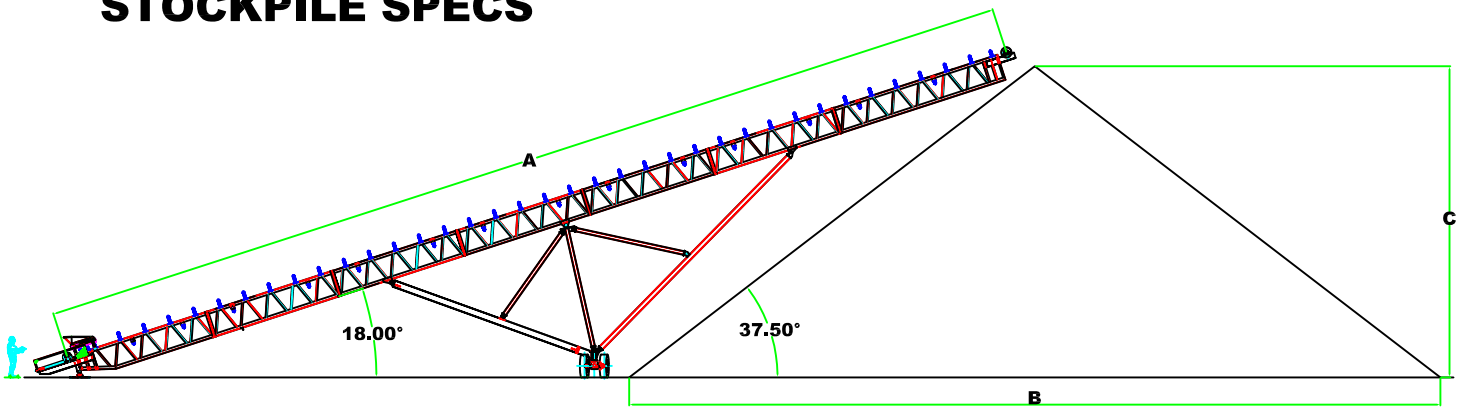
HOOVER CONVEYOR STANDARD 150' RADIAL STACKING CONVEYOR

GENERAL SPECS



LENGTH OF STACKING CONVEYOR	A	150'
RADIAL HOPPER HEIGHT	B	6'-2"
HEAD PULLEY HEIGHT	C	49'-4"
PIVOT PIN TO AXLE DISTANCE	D	78'-2"
TOTAL HORIZONTAL DISTANCE	E	140'-9"
DESIGN INFORMATION BASED ON 36" BELT		
APPROXIMATE TONS PER HOUR		300
BELT SPEED (FEET PER MINUTE)		350
MOTOR HP		30
HEAD PULLEY DIAMETER (INCHES)		18
TAIL PULLEY DIAMETER (INCHES)		16

STOCKPILE SPECS



LENGTH OF STACKING CONVEYOR	A	150'
DIAMETER OF STOCKPILE	B	123'-3"
HEIGHT OF STOCKPILE	C	47'-3"
CONICAL PILE VOLUME (TONS ~ 100 PCF)		11671
90 DEG. STOCKPILE VOLUME (TONS ~ 100 PCF)		47442
180 DEG. STOCKPILE VOLUME (TONS ~ 100 PCF)		83215

NOTE: DIMENSIONS OF CUSTOM CONVEYORS WILL VARY

THIS PRINT IS THE PROPERTY OF HOOVER CONVEYOR & FABRICATION CORP. AND IS LOANED TO YOU SUBJECT TO RETURN ON DEMAND, UNLESS OTHERWISE AGREED TO IN WRITING BY HOOVER CONVEYOR & FABRICATION CORP. ITS CONTENTS ARE CONFIDENTIAL AND MUST NOT BE COPIED OR SUBMITTED TO ANY THIRD PARTY FOR USE OR EXAMINATION.
© Copyright 2009 Hoover Conveyor & Fabrication Corp. All rights reserved.

HOOVER
CONVEYOR & FABRICATION CORP.

262 INDUSTRIAL PARK RD.
MEYERSDALE, PA 15552
PHONE 888-634-5434